

CE

FA TOTAL SYSTEM
SMT BOARD HANDLER

ILJIN



 **ILJIN**



SMT IN LINE SYSTEM LAY-OUT

SMT IN LINE - 1



- ① MAGAZINE LOADER (ALD-12S)
- ② SCREEN PRINTER
- ③ LINK CONVEYOR (ACC-60S)
- ④ MOUNTER
- ⑤ LINK CONVEYOR (ACC-60S)
- ⑥ MOUNTER
- ⑦ WORK TABLE (AWT-80S)
- ⑧ REFLOW OVEN
- ⑨ MAGAZINE UNLOADER (AUD-12S)

SMT IN LINE - 2



- ① MAGAZINE LOADER (ALD-12S)
- ② VACUUM LOADER (AVL-60S)
- ③ 180° TURN (AVT-50S)
- ④ SCREEN PRINTER
- ⑤ LINK CONVEYOR (ACC-60S)
- ⑥ MOUNTER
- ⑦ MOUNTER
- ⑧ GATEWAY CONVEYOR (AG1-80S)
- ⑨ WORK TABLE (AWT-80S)
- ⑩ REFLOW OVEN
- ⑪ AOI
- ⑫ NG BUFFER (ANB-15S)
- ⑬ MAGAZINE UNLOADER (AUD-12S)

SMT IN LINE - 3



- ① MAGAZINE LOADER (ALD-12S)
- ② SCREEN PRINTER
- ③ SPI
- ④ NG BUFFER (AMR-35S)
- ⑤ MOUNTER
- ⑥ GATE CONVEYOR (AG1-80S)
- ⑦ MOUNTER
- ⑧ WORK TABLE (AWT-80S)
- ⑨ REFLOW OVEN
- ⑩ RACK BUFFER (ARB-25S)
- ⑪ AOI
- ⑫ NG BUFFER (ANB-15S)
- ⑬ MAGAZINE UNLOADER (AUD-12S)

Magazine & PCB Specifications

* Customer magazine available.

MAGAZINE TYPE	L	W	R	Max. PCB Size		Min. PCB Size	
				L	W	L	W
S(097)	355	320	570	330	250	50	50
Y(096)	460	400	575	440	330	50	65
L(093)	535	460	570	530	375	50	60
XL(100)	535	530	575	530	460	50	100
2XL(101)	620	530	575	610	460	50	100
SW(099)	620	320	575	600	236	50	60

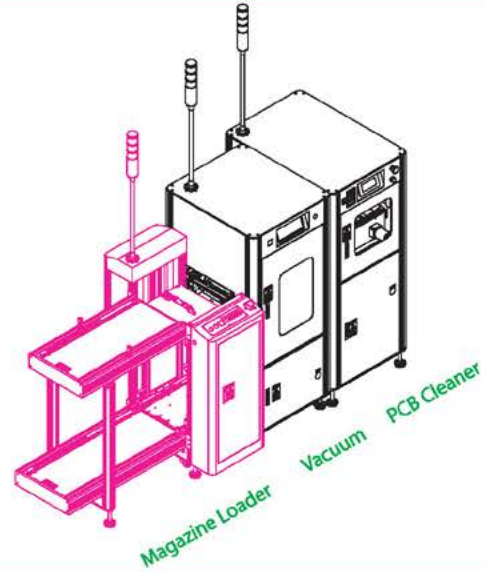
PRODUCT CONTENTS

Board Handling & Automation System Equipment



04	MAGAZINE LOADER
05	MAGAZINE UNLOADER
06	MAGAZINE LOADER CE TYPE
07	MAGAZINE UNLOADER CE TYPE
08	SINGLE MAGAZINE LOADER CE TYPE
09	SINGLE MAGAZINE UNLOADER CE TYPE
10	MAGAZINE LOADER ERGONOMIC TYPE
11	MAGAZINE UNLOADER ERGONOMIC TYPE
12	BOAT LOADER
13	BOAT UNLOADER
14	VACUUM PICK-UP LOADER
15	DESTACKER
16	WORK TABLE
17	GATE CONVEYOR
18	LINK CONVEYOR
19	CHAIN CONVEYOR
20	COOLING CONVEYOR
21	INVERTER VERTICAL TURNING TYPE
22	INFEED CONVEYOR
23	OUTFEED CONVEYOR
24	SHUTTLE CONVEYOR
25	SLIDING CONVEYOR (FIXED RAIL CHANGER)
26	HORIZONTAL TURNING CONVEYOR
27	HORIZONTAL MULTI ANGLE TURNING CONVEYOR
28	BUFFER STACKER (RACK TYPE)
29	BUFFER STACKER (MAGAZINE TYPE)
30	SPI BUFFER STACKER
31	SPI BUFFER STACKER EXPLANATION
32	AOI BUFFER STACKER
33	COOLING BUFFER CONVEYOR
34	REJECT CONVEYOR
35	PCB CLEANER
36	LASER MAKING MACHINE
37	INKJET MAKING MACHINE
38	SCAN STATION (BARCODE READING)
39	MANUAL INSERTION LINE
40	OTHER MACHINE
44	DUAL LANE CONVEYOR
46	MAGAZINE RACK-NTC SERIES

MAGAZINE LOADER

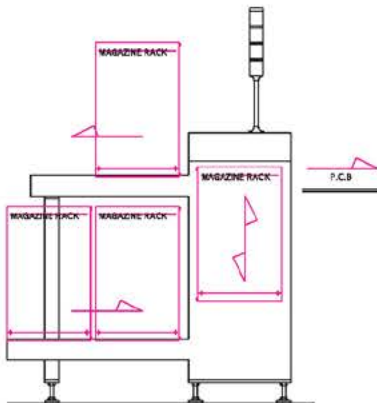


FEATURES

- SMEMA interface
- Top & Bottom pneumatic clamps to secure magazine rack
- Easy operation with user friendly software
- LED tower light with buzzer
- Alarm code display
- Pneumatic Pusher's Pressure regulated

OPTION

- 2 different magazine size available (Multi Magazine Loader)
- Movable rail for various sizes of Magazine
- Space save type (T-type)
- Touch screen operation
- High speed magazine exchange (19 sec)
- Aux. Buffer conveyor
- 5 Rack magazine capacity (Upper:2, Lower:3)
- PCB damage prevention (Jam detection)
- Safety full cover
- Dual lane

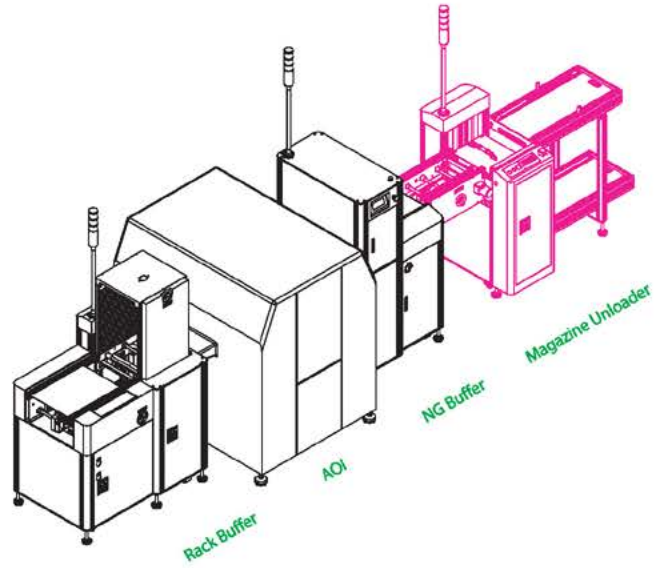


Specifications

Customized Manufacturing Available.

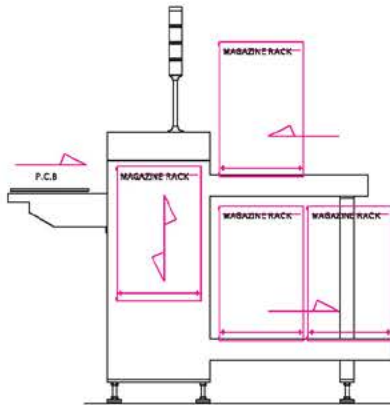
MODEL	TYPE	RACK	Max.PCB(L×W)mm	Min.PCB(L×W)mm	DIMENSION(L×W×H)mm	POWER	AIR(MPa)	WEIGHT(Kg)	
ALD-12S	S	3	330×250	50×50	1170×810×1130	0.3kVA	0.5±0.1	160	
ALD-23S		5			1525×810×1130			180	
ALD-12Y	Y	3	440×330	50×65	1480×925×1130			180	
ALD-23Y		5			1940×925×1130			200	
ALD-12L	L	3	530×375	50×60	1780×985×1130			0.4kVA	210
ALD-23L		5			2305×985×1130				220
ALD-12X	XL	3	530×460	50×100	1770×1095×1130	0.4kVA	230		
ALD-122X	2XL	3	610×460		1855×1095×1130		240		

MAGAZINE UNLOADER



FEATURES

- SMEMA interface
- Top & Bottom pneumatic clamps to secure magazine rack
- Easy operation with user friendly software
- LED tower light with buzzer
- Alarm code display



OPTION

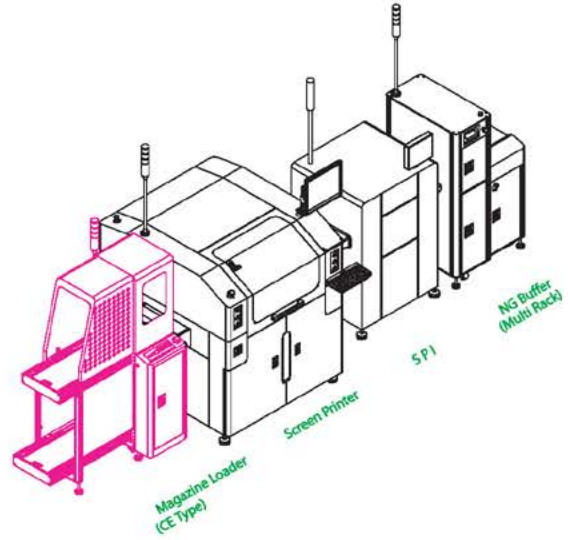
- Cooling fan at Aux, Buffer conveyor
- 2 different magazine size available (Multi Magazine Unloader)
- Movable rail for various sizes of Magazine
- Space save type (T-Type)
- Touch screen operation
- High speed magazine exchange (19 sec)
- Auto width control system at Pusher Conveyor
- 5 Rack magazine capacity (Upper:2, Lower:3)
- PCB damage prevention (Jam detection)
- Safety full cover
- Dual lane
- RS-485 Communication

Specifications

Customized Manufacturing Available.

MODEL	TYPE	RACK	Max.PCB(L×W)mm	Min.PCB(L×W)mm	DIMENSION(L×W×H)mm	POWER	AIR(MPa)	WEIGHT(Kg)	
AUD-12S	S	3	330×250	50×50	1670×810×1130	0.3kVA	0.5±0.1	180	
AUD-23S		5			2025×810×1130			200	
AUD-12Y	Y	3	440×330	50×65	2075×925×1130			200	
AUD-23Y		5			2535×925×1130			220	
AUD-12L	L	3	530×375	50×60	2445×985×1130			0.4kVA	230
AUD-23L		5			2480×985×1130				240
AUD-12X	XL	3	530×460	50×100	2445×1095×1130	250			
AUD-122X	2XL	3	610×460	2980×1095×1130	260				

MAGAZINE LOADER CE TYPE

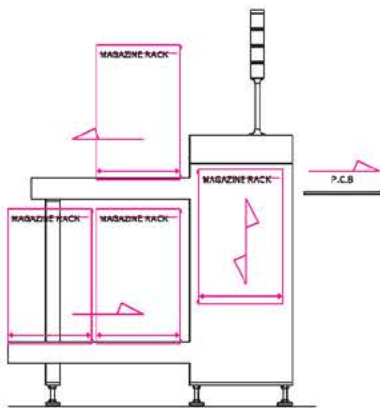


FEATURES

- SMEMA interface
- Top & Bottom pneumatic clamps to secure magazine rack
- Easy operation with user friendly software
- LED tower light with buzzer
- Alarm code display
- Pneumatic Pusher's Pressure regulated
- Touch screen operation

OPTION

- 2 different magazine size available (Multi Magazine Loader)
- Movable rail for various sizes of Magazine
- Space save type (T-type)
- High speed magazine exchange (19 sec)
- Aux. Buffer conveyor
- 5 Rack magazine capacity (Upper:2, Lower:3)
- PCB damage prevention (Jam detection)
- Safety full cover
- Dual lane

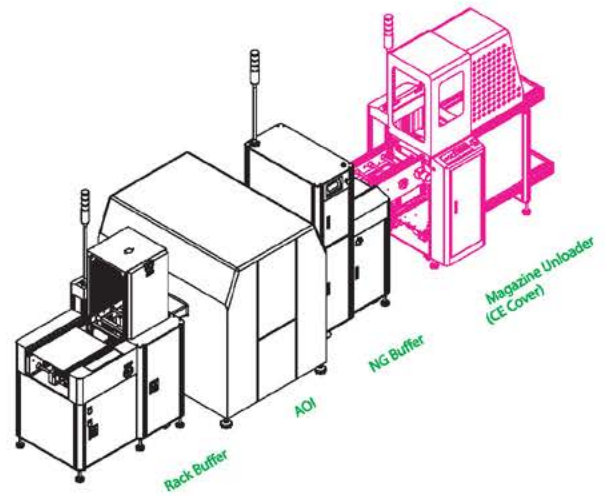


Specifications

Customized Manufacturing Available.

MODEL	TYPE	RACK	Max.PCB(L×W)mm	Min.PCB(L×W)mm	DIMENSION(L×W×H)mm	POWER	AIR(MPa)	WEIGHT(Kg)
ALD-12CE	S	3	330×250	50×50	1170×810×1670	0.3kVA	0.5±0.1	180
	Y		440×330	50×65	1480×922×1670			200
	L		530×375	50×60	1770×985×1670			220
	XL		530×460	50×100	1770×1095×1670	0.4kVA		240
	2XL		610×460	50×100	1850×1095×1670			250

MAGAZINE UNLOADER CE TYPE

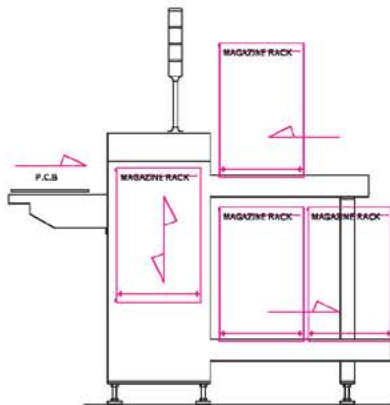


FEATURES

- SMEMA interface
- Top & Bottom pneumatic clamps to secure magazine rack
- Easy operation with user friendly software
- LED tower light with buzzer
- Alarm code display
- Touch screen operation

OPTION

- 2 different magazine size available (Multi Magazine Unloader)
- Movable rail for various sizes of Magazine
- Space save type (T-type)
- High speed magazine exchange (19 sec)
- Auto width control system at Pusher Conveyor
- Cooling fan at Aux. Buffer conveyor
- 5 Rack magazine capacity (Upper:2, Lower:3)
- PCB damage prevention (Jam detection)
- Safety full cover
- Dual lane
- RS-485 Communication

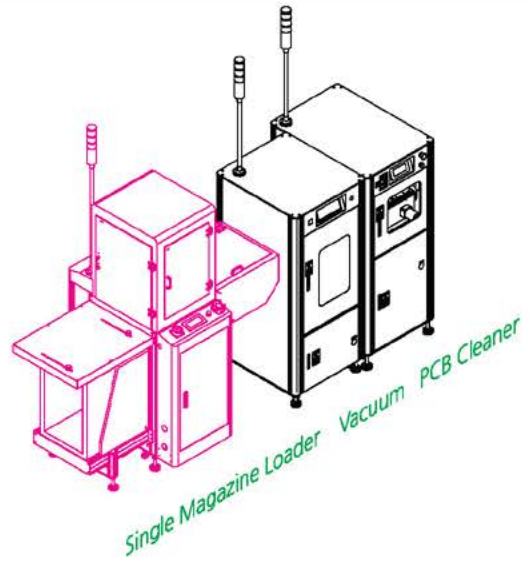


Specifications

Customized Manufacturing Available.

MODEL	TYPE	RACK	Max.PCB(L×W)mm	Min.PCB(L×W)mm	DIMENSION(L×W×H)mm	POWER	AIR(MPa)	WEIGHT(Kg)
AUD-12CE	S	3	330×250	50×50	1670×810×1670	0.3kVA	0.5±0.1	200
	Y		440×330	50×65	2080×922×1670			220
	L		530×375	50×60	2550×1022×1670			240
	XL		530×460	50×100	2550×1092×1670	0.4kVA		260
	2XL		610×460	50×100	2820×1092×1670			270

SINGLE MAGAZINE LOADER CE TYPE

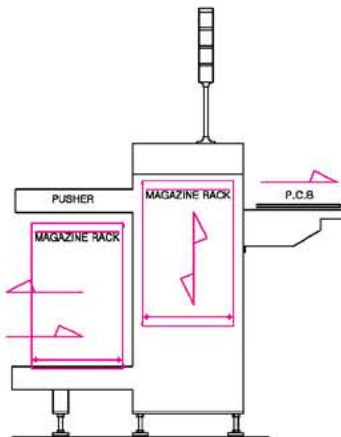


FEATURES

- SMEMA interface
- Top & Bottom pneumatic clamps to secure magazine rack
- Easy operation with user friendly software
- LED tower light with buzzer
- Alarm code display
- Pneumatic Pusher's Pressure regulated
- Touch screen operation

OPTION

- High speed magazine exchange (19 sec)
- RS-485 Communication

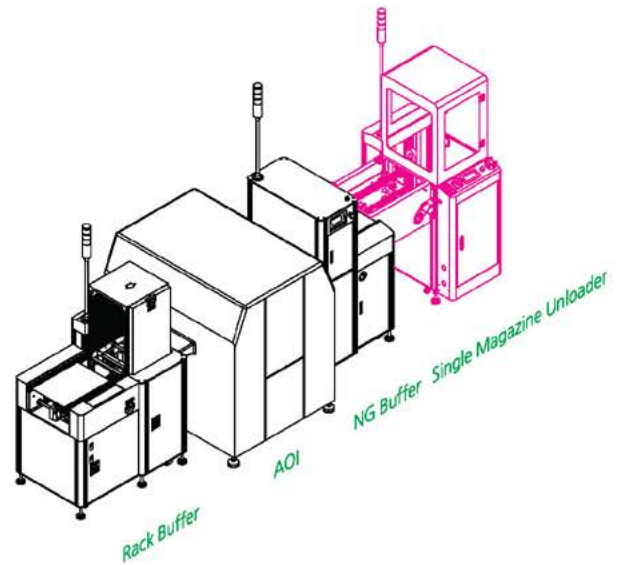


■ Specifications

Customized Manufacturing Available.

MODEL	TYPE	RACK	Max.PCB(L×W)mm	Min.PCB(L×W)mm	DIMENSION(L×W×H)mm	POWER	AIR(MPa)	WEIGHT(Kg)
ALD-10CE	S	1	330×250	50×50	1645×810×1710	0.3kVA	0.5±0.1	150
	Y		440×330	50×65	1750×922×1710			170
	L		530×375	50×60	1825×982×1710			190
	XL		530×460	50×100	1825×1095×1710	0.4kVA		200
	2XL		610×460	50×100	1910×1095×1710			220

SINGLE MAGAZINE UNLOADER CE TYPE

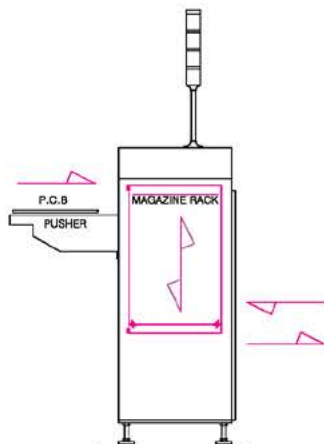


FEATURES

- SMEMA interface
- Top & Bottom pneumatic clamps to secure magazine rack
- Easy operation with user friendly software
- LED tower light with buzzer
- Alarm code display
- Touch screen operation

OPTION

- High speed magazine exchange (19 sec)
- RS-485 Communication

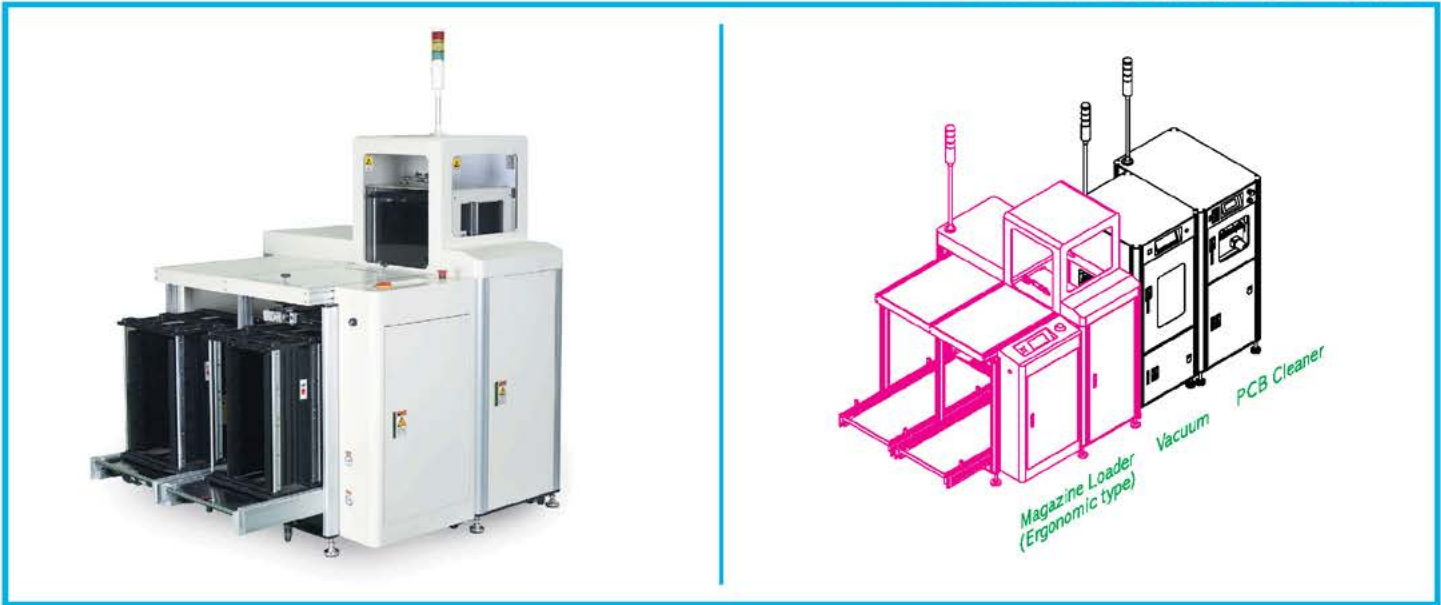


■ Specifications

Customized Manufacturing Available.

MODEL	TYPE	RACK	Max.PCB(L×W)mm	Min.PCB(L×W)mm	DIMENSION(L×W×H)mm	POWER	AIR(MPa)	WEIGHT(Kg)
AUD-10CE	S	1	330×250	50×50	925×810×1710	0.3kVA	0.5±0.1	150
	Y		440×330	50×65	1120×925×1710			170
	L		530×375	50×60	1325×985×1710			190
	XL		530×460	50×100	1325×1095×1710	0.4kVA		200
	2XL		610×460	50×100	1410×1095×1710			220

MAGAZINE LOADER **ERGONOMIC TYPE**

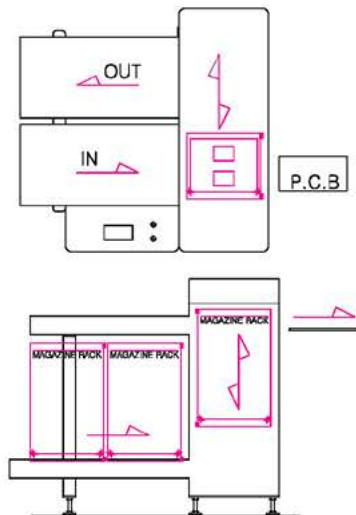


FEATURES

- Lower magazine protect operator from back strain
- SMEMA interface
- Touch screen operation
- Top & Bottom pneumatic clamps to secure magazine rack
- Easy operation with user friendly software
- LED tower light with buzzer
- Pneumatic Pusher's Pressure regulated
- PCB damage prevention (Jam detection)

OPTION

- 2 different magazine size available
- High speed magazine exchange (19 sec)
- Aux. Buffer conveyor
- CE type

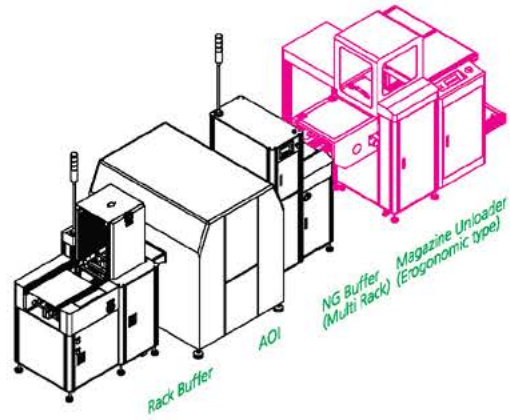


■ Specifications

Customized Manufacturing Available.

MODEL	TYPE	RACK	Max.PCB(L×W)mm	Min.PCB(L×W)mm	DIMENSION(L×W×H)mm	POWER	AIR(MPa)	WEIGHT(Kg)
ALD-22SH	S	4	330×250	50×50	1170×1180×1570	0.3kVA	0.5±0.1	230
ALD-22YH	Y		440×330	50×65	1480×1340×1570			250

MAGAZINE UNLOADER **ERGONOMIC** TYPE

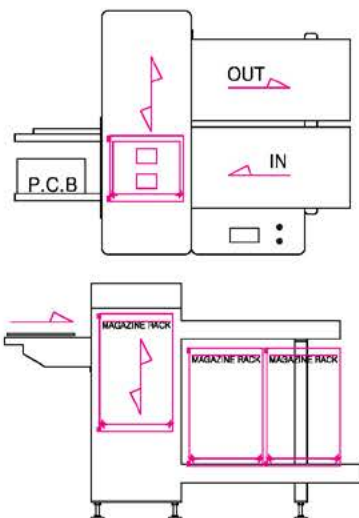


FEATURES

- Lower magazine protect operator from back strain
- SMEMA interface
- Touch screen operation
- Top & Bottom pneumatic clamps to secure magazine rack
- Easy operation with user friendly software
- LED tower light with buzzer
- Pneumatic Pusher's Pressure regulated
- PCB damage prevention (Jam detection)

OPTION

- 2 different magazine size available
- Cooling fan at Aux. Buffer conveyor
- High speed magazine exchange (19 sec)
- Auto width control system of pusher conveyor
- CE type

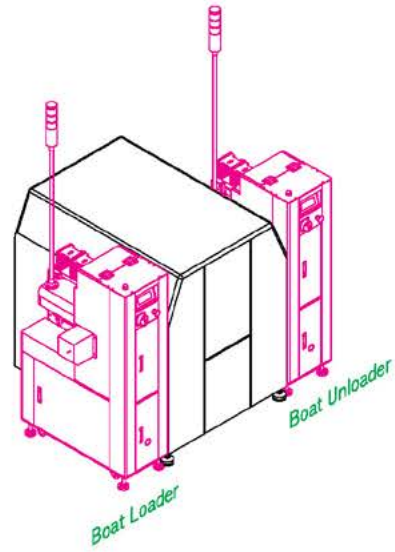


■ Specifications

Customized Manufacturing Available.

MODEL	TYPE	RACK	Max.PCB(L×W)mm	Min.PCB(L×W)mm	DIMENSION(L×W×H)mm	POWER	AIR(MPa)	WEIGHT(Kg)
AUD-22SH	S	4	330×250	50×50	1670×1180×1570	0.3kVA	0.5±0.1	250
AUD-22YH	Y		440×330	50×65	1080×1340×1570			270

BOAT LOADER

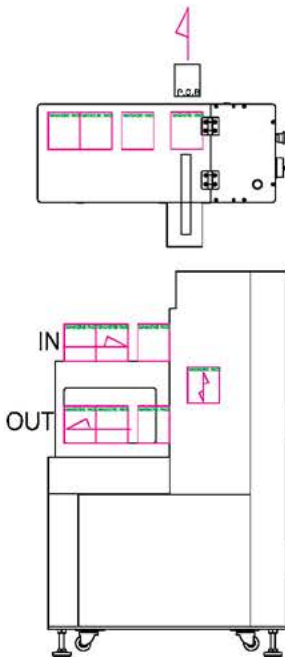


FEATURES

- SMEMA interface
- Touch screen operation
- LED tower light
- High precision control by servo motor
- SUS frame in magazine contact part
- Jam detection sensor for BOAT/PCB
- No scratch rail working with BOAT (PCB)
- Stable magazine clamping
- Selectable magazine size

OPTION

- Cover design
- SUS device for clean room (Non-painting)
- Dual lane
- CE type
- RS-485 Communication

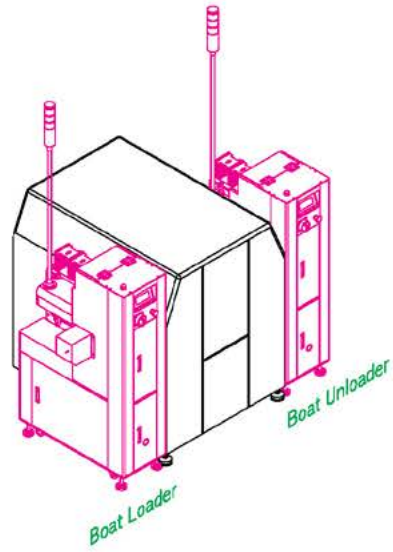


Specifications

Customized Manufacturing Available.

MODEL-LOADER	BOAT TYPE	Max.Magazine(L×W×H)mm	Min.Magazine(L×W×H)mm	DIMENSION(L×W×H)mm	POWER	AIR(MPa)	WEIGHT(Kg)
ABL-B20	AL, SUS	300×100×200	160×40×100	590×1170×1300	0.5kVA	0.5±0.1	180

BOAT UNLOADER

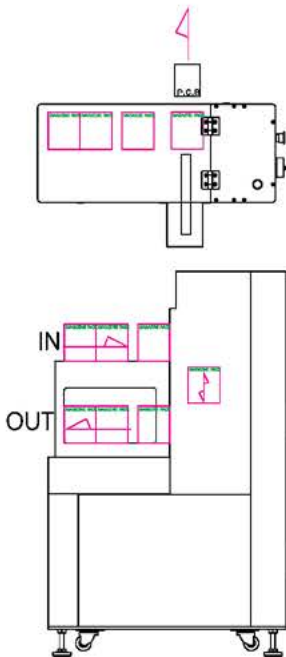


FEATURES

- SMEMA interface
- Touch screen operation
- LED tower light
- High precision control by servo motor
- SUS frame in magazine contact part
- BOAT(PCB) jam detection available
- No scratch rail working with BOAT (PCB)
- Stable magazine clamping
- Selectable magazine size

OPTION

- Cover design
- SUS device for clean room (Non-painting)
- Dual lane
- CE type
- RS-485 Communication

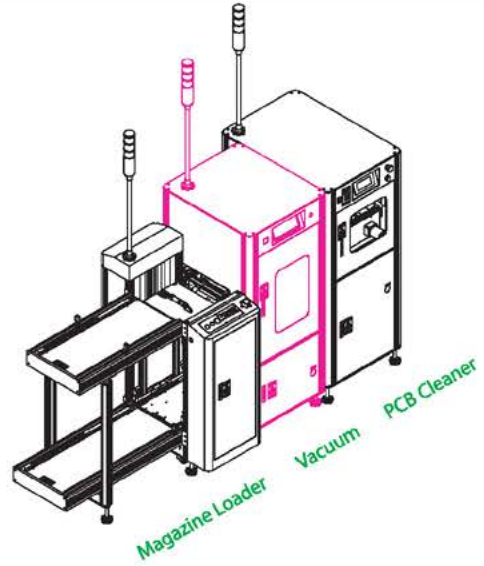


Specifications

Customized Manufacturing Available.

MODEL-UNLOADER	BOAT TYPE	Max.Magazine(L×W×H)mm	Min.Magazine(L×W×H)mm	DIMENSION(L×W×H)mm	POWER	AIR(MPa)	WEIGHT(Kg)
ABU-B20	AL, SUS	300×100×200	160×40×100	800×1170×1300	0.5kVA	0.5±0.1	220

VACUUM PICK-UP LOADER

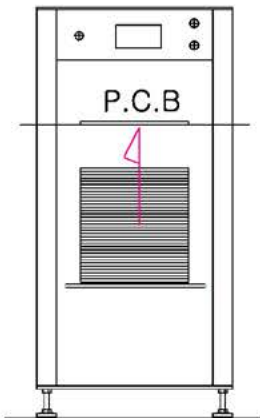


FEATURES

- SMEMA interface
- PCBs are placed at front
- LED tower light with buzzer
- Safety cover keeps boards clean
- PCB table up-down system for simple operation
- Selectable vacuum pad according to PCB size
- Convenient pick-up position change with magnetic system
- Surrounded with covers to provide highest level of safety
- Adjustable suction positions proved better grips of PCBs
- Smooth and parallel width adjustment

OPTION

- Built-in PCB cleaner & ionizer
- Touch screen operation
- Auto width control system
- Dual lane
- CE type
- RS-485 Communication

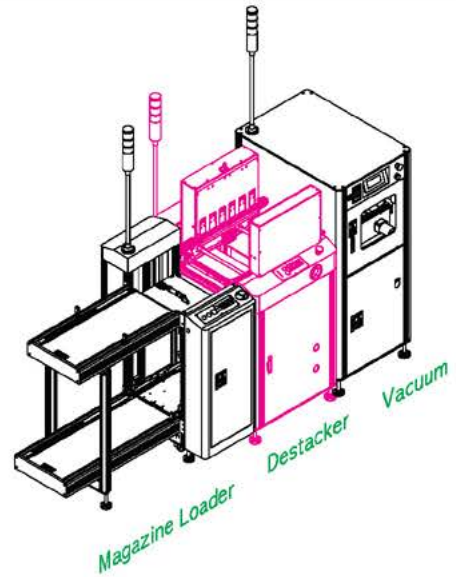


■ Specifications

Customized Manufacturing Available.

MODEL	TYPE	Max.PCB(L×W)mm	Min.PCB(L×W)mm	DIMENSION(L×W×H)mm	POWER	AIR(MPa)	WEIGHT(Kg)
AVL-60S	S	330×250	50×50	600×660×1355	0.3kVA	0.5±0.1	200
AVL-60Y	Y	440×330		710×740×1355			220
AVL-60L	L	530×375		800×795×1355			240
AVL-60X	XL	530×460		820×865×1355			260
AVL-602X	2XL	610×460		955×865×1355			260

DESTACKER

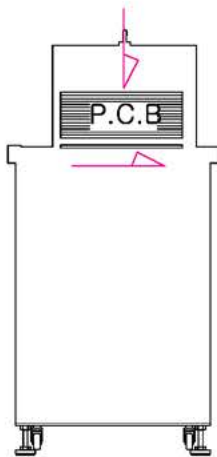


FEATURES

- SMEMA interface
- Precision hand crank width adjust system
- Pneumatic release and stack relief assembly
- Adjustable board thickness settings
- Pass through mode

OPTION

- Auto width control system
- Touch screen operation
- Safety full cover
- Dual lane
- CE type
- RS-485 Communication

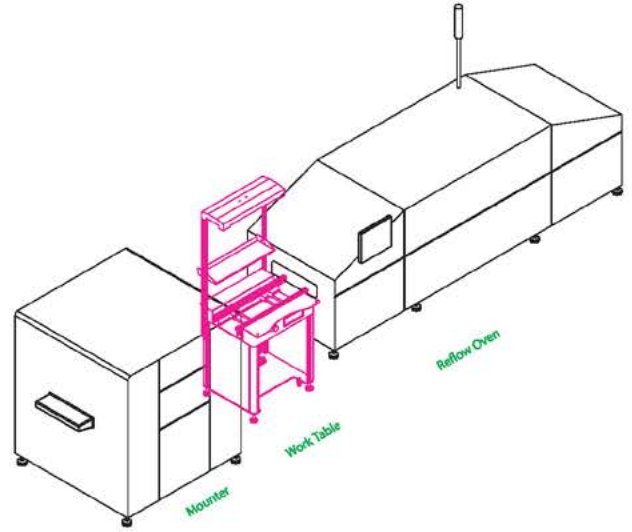


■ Specifications

Customized Manufacturing Available.

MODEL	TYPE	Max.PCB(L×W)mm	Min.PCB(L×W)mm	DIMENSION(L×W×H)mm	POWER	AIR(MPa)	WEIGHT(Kg)
ADS-50S	S	330×250	50×50	550×710×1215	0.3kVA	0.5±0.1	190
ADS-50Y	Y	440×330		550×790×1215			210
ADS-50L	L	530×375		650×835×1215			220
ADS-50X	XL	530×460		650×920×1215			230
ADS-502X	2XL	610×460		750×920×1215			260

WORK TABLE

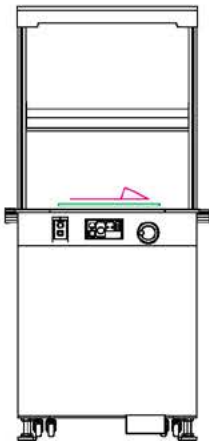


FEATURES

- PLC control
- SMEMA interface
- Work space at the front for operator
- LED light
- Easy PCB inspection and position change
- Durable structure by double based plate
- Pass / Work mode
- Smooth and parallel width adjustment
- Speed controller

OPTION

- Auto width control system
- ESD safety cover
- Touch screen operation
- Front door
- Cooling fan
- Multi-zone concept
- Different length of rail
- Various belt type
- Dual lane
- CE type
- RS-485 Communication



■ Specifications

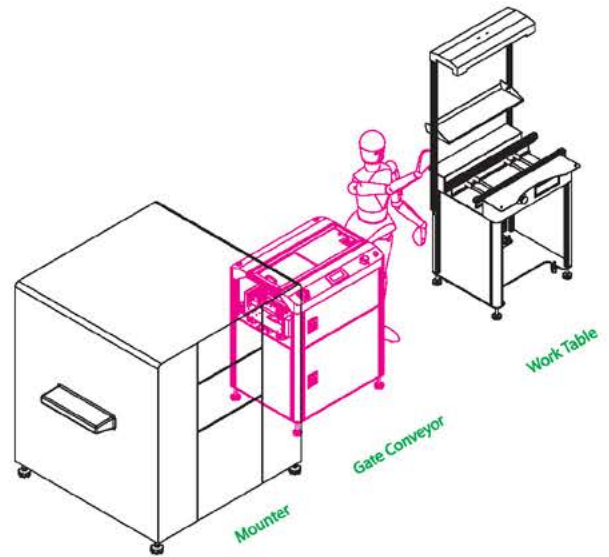
Customized Manufacturing Available.

MODEL	TYPE	Max.PCB(L×W)mm	Min.PCB(L×W)mm	DIMENSION(L×W×H)mm	POWER	WEIGHT(Kg)
AWT-80S	S	330×250	50×50	800×675×1700	0.2kVA	90
AWT-80Y	Y	440×330		800×755×1700		100
AWT-80L	L	530×375		800×800×1700		130
AWT-80X	XL	530×460		800×885×1700		140
AWT-802X	2XL	610×460		1000×884×1700		160

GATE CONVEYOR



Normal Open

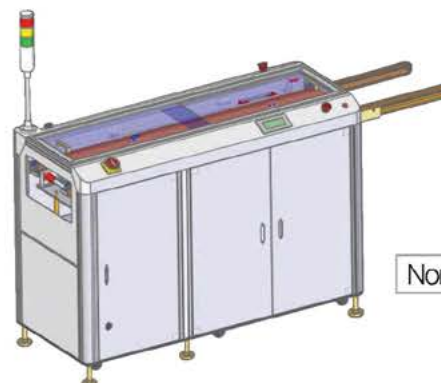
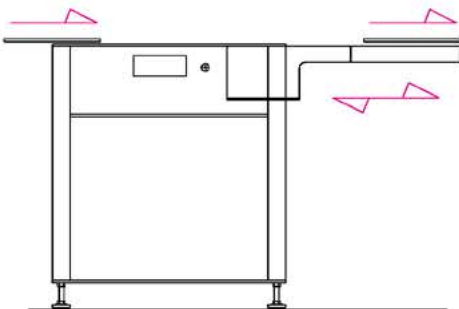


FEATURES

- PLC control
- SMEMA interface
- Durable structure by double base plate
- Buzzer, LED display
- Timing belt for low-noise & low-vibration
- The length of the tool is specified by customer's requirements
- Slide method using by stepping motor
- ESD cover safe from dust and particle
- Passage way 'Normally opened' 600mm
- Smooth and parallel width adjustment

OPTION

- Extension rail has two ingress and egress stage to save footprint
- Auto width control system
- Work table type
- Conveyor speed control
- Touch screen operation
- Normal closed type
- Work table type
- Dual lane
- CE type
- RS-485 Communication



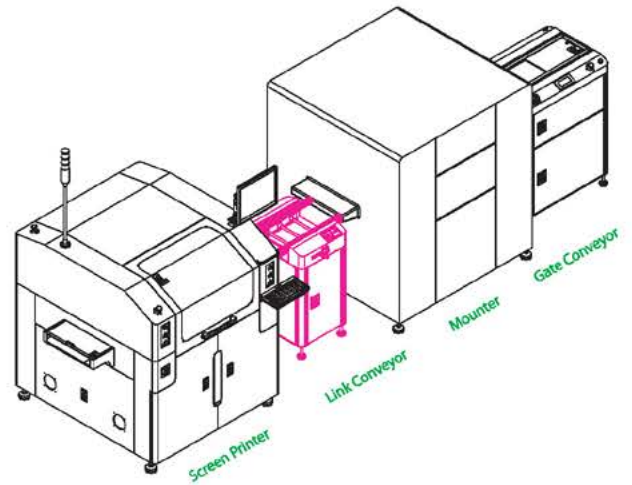
Normal Close

Specifications

Customized Manufacturing Available.

MODEL	TYPE	Max.PCB(L×W)mm	Min.PCB(L×W)mm	DIMENSION(L×W×H)mm	POWER	WEIGHT(Kg)
AG1-80S	S	330×250	50×50	1410(810+600)×620×1000	0.3kVA	150
AG1-80Y	Y	440×330		1410(810+600)×700×1000		160
AG1-80L	L	530×375		1410(810+600)×745×1000		170
AG1-80X	XL	530×460		1410(810+600)×830×1000		200
AG1-802X	2XL	610×460				

LINK CONVEYOR

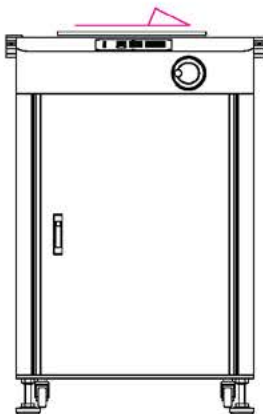


FEATURES

- PLC control
- SMEMA interface
- Buzzer, LED display
- Durable structure of double based plate
- Smooth and parallel width adjustment

OPTION

- Auto width control system
- ESD safety cover
- Stopper for PCB holding
- Front door
- Cooling fan
- Multi-zone concept
- Different length of rail
- Various belt type
- Touch screen operation
- Timer for cool down
- Speed controller
- Dual lane
- CE type
- RS-485 Communication



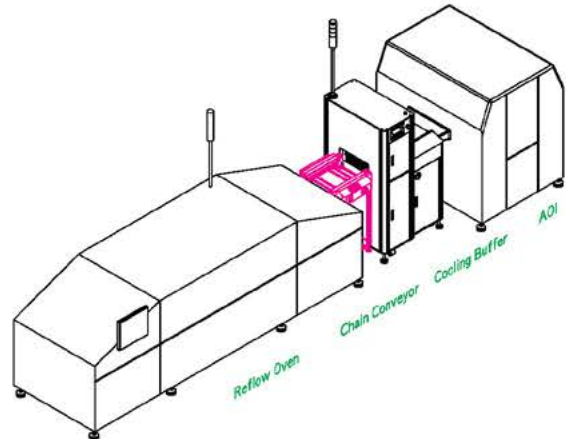
Specifications

Customized Manufacturing Available.

MODEL	TYPE	Max.PCB(L×W)mm	Min.PCB(L×W)mm	DIMENSION(L×W×H)mm	POWER	WEIGHT(Kg)
ACC-60S	S	330×250	50×50	600×600×910	0.1KVA	80
ACC-60Y	Y	440×330		600×680×910		90
ACC-60L	L	530×375		600×725×910		100
ACC-60X	XL	530×460		600×810×910		110
ACC-602X	2XL	610×460		800×810×910		130

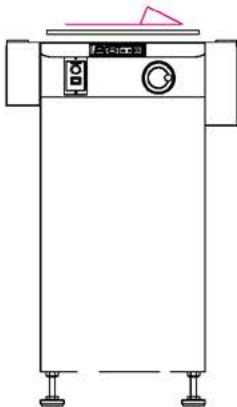
★ 60S:600mm ★ 80S:800mm

CHAIN CONVEYOR



FEATURES

- PLC control
- SMEMA interface
- Buzzer, LED display
- Durable structure by double based plate
- Smooth and parallel width adjustment
- Speed controller



OPTION

- Auto width control system
- ESD safety cover
- Stopper for PCB holding
- Front door
- Cooling fan
- Multi-zone concept
- Different length of rail
- Touch screen operation
- Timer for cool down
- Dual lane
- CE type
- RS-485 Communication

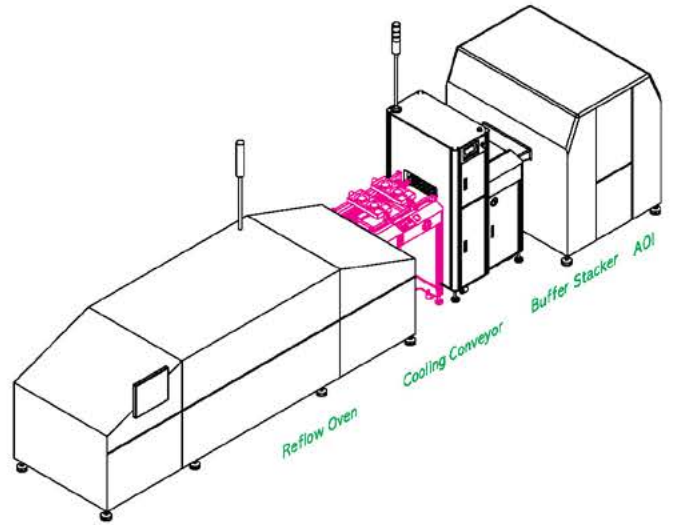


Specifications

Customized Manufacturing Available.

MODEL	TYPE	Max.PCB(L×W)mm	Min.PCB(L×W)mm	DIMENSION(L×W×H)mm	POWER	WEIGHT(Kg)
ACH-80S	S	330×250	50×50	800×555×915	0.1kVA	90
ACH-80Y	Y	440×330		800×635×915		100
ACH-80L	L	530×375		800×680×915		110
ACH-80X	XL	530×460		800×765×915		120
ACH-802X	2XL	610×460		1000×765×915		140

COOLING CONVEYOR

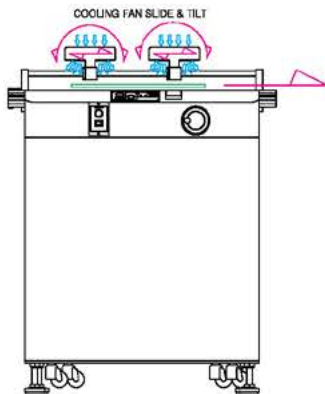


FEATURES

- PLC control
- SMEMA interface
- Buzzer, LED display
- Durable structure of double based plate
- Smooth and parallel width adjustment
- Timer for cool down
- Speed controller

OPTION

- Auto width control system
- ESD safety cover
- Stopper for PCB holding
- Front door
- Multi-zone concept
- Different length of rail
- Various belt type
- Touch screen operation
- Dual lane
- CE type
- RS-485 Communication



FAN TYPE

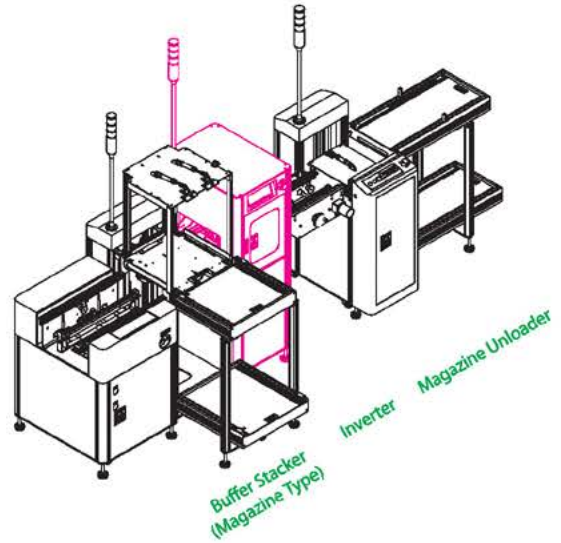


Specifications

Customized Manufacturing Available.

MODEL	TYPE	Max.PCB(L×W)mm	Min.PCB(L×W)mm	DIMENSION(L×W×H)mm	POWER	WEIGHT(Kg)
ACOL-60S	S	330×250	50×50	600×600×1305	0.1kVA	90
ACOL-60Y	Y	440×330		600×680×1305		100
ACOL-60L	L	530×375		600×725×1305		110
ACOL-60X	XL	530×460		600×810×1305		120
ACOL-602X	2XL	610×460		800×810×1305		140

INVERTER VERTICAL TURNING TYPE

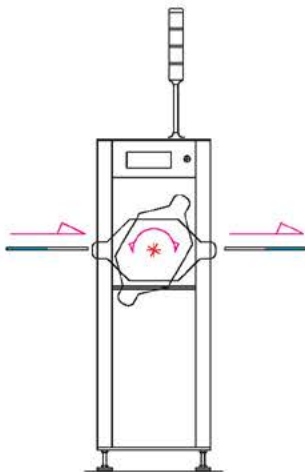


FEATURES

- SMEMA interface
- Durable structure of double based plate
- Buzzer, LED display
- Shock absorber for holding PCB
- Safe turning system by dual cylinder
- Cover for safe and clean operation
- LED tower light
- Smooth and precise inverting motion

OPTION

- Auto width control system
- Touch screen operation
- Dual lane
- CE type
- RS-485 Communication

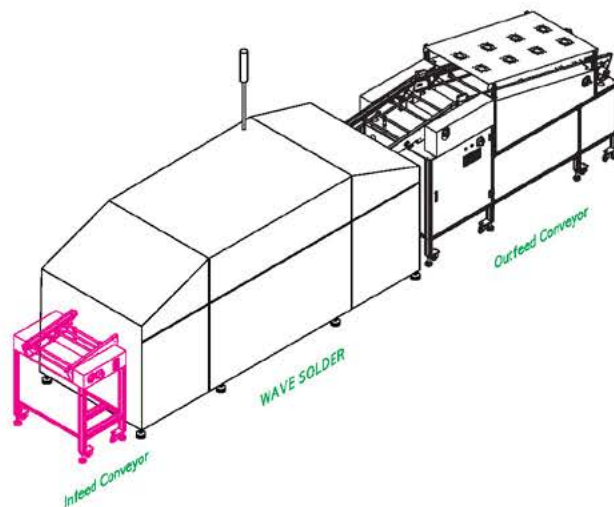


■ Specifications

Customized Manufacturing Available.

MODEL	TYPE	Max.PCB(L×W)mm	Min.PCB(L×W)mm	DIMENSION(L×W×H)mm	POWER	AIR(MPa)	WEIGHT(Kg)
AVT-50S	S	330×250	50×50	500×640×1355	0.3kVA	0.5±0.1	170
AVT-50Y	Y	440×330		610×720×1355			180
AVT-50L	L	530×375		700×760×1355			190
AVT-50X	XL	530×460		800×850×1355			200
AVT-502X	2XL	610×460					

INFEED CONVEYOR

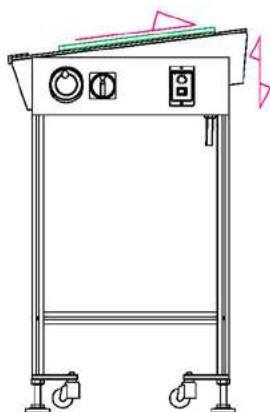


FEATURES

- PLC control
- SMEMA interface
- Durable structure by double based plate
- Smooth and parallel width adjustment
- Adjustable angle for conveyor
- Speed controller

OPTION

- Auto width control system
- Stopper for PCB holding
- Multi-zone concept
- Different length of rail
- Various belt types
- Touch screen operation
- Dual lane
- CE type

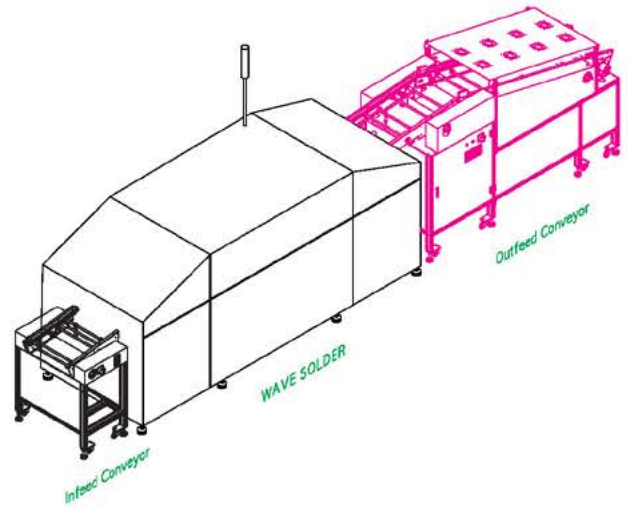


■ Specifications

Customized Manufacturing Available.

MODEL	TYPE	Max.PCB(L×W)	Min.PCB(L×W)	DIMENSION(L×W×H)	POWER	WEIGHT(Kg)
AIC-60S	S	330×250	50×50	605×620×925	0.1KVA	70
AIC-60Y	Y	440×330		605×700×925		80
AIC-60L	L	530×375		605×745×925		90
AIC-60X	XL	530×460		605×830×925		100
AIC-602X	2XL	610×460		705×830×925		110

OUTFEED CONVEYOR

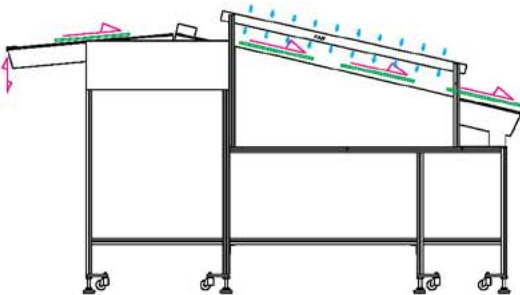


FEATURES

- PLC control
- SMEMA interface
- Durable structure of double based plate
- Smooth and parallel width adjustment
- Cooling fan
- Speed controller

OPTION

- Auto width control system
- ESD safety cover
- Different length of rail
- Various belt type
- Touch screen operation
- Dual lane
- CE type

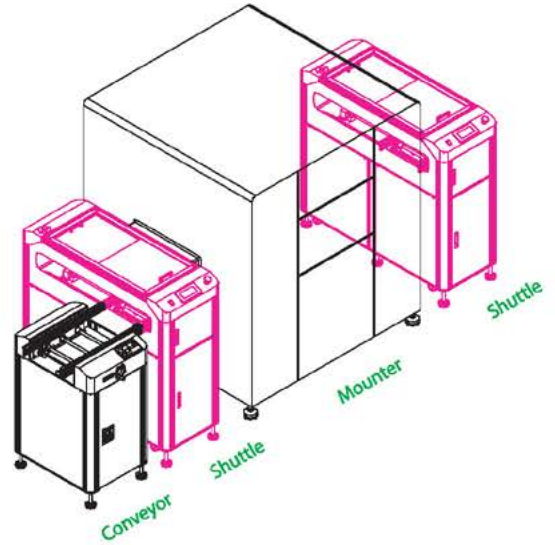


■ Specifications

Customized Manufacturing Available.

MODEL	TYPE	Max.PCB(L×W)mm	Min.PCB(L×W)mm	DIMENSION(L×W×H)mm	POWER	WEIGHT(Kg)
AOC-300S	S	330×250	50×50	2720×620×1500	0.1kVA	170
AOC-300Y	Y	440×330		2720×700×1500		190
AOC-300L	L	530×375		2720×745×1500		210
AOC-300X	XL	530×460		2720×830×1500		230
AOC-3002X	2XL	610×460		2720×830×1500		250

SHUTTLE CONVEYOR

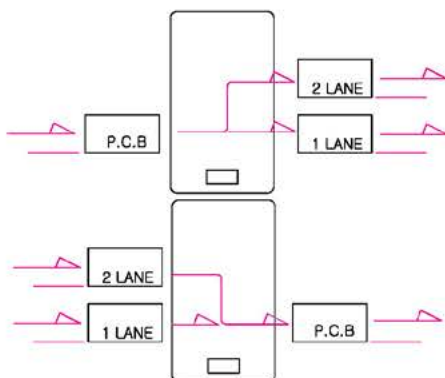


FEATURES

- SMEMA interface
- Touch screen operation
- Effective PCB supply by 6 modes
- Adjustable PCB position In/Out1/Out2 – In1/In2/Out – In2/Out2
- Durable structure by double base plate
- Buzzer
- LM guide for low-noise & low-vibration
- The length and sliding stroke of the conveyor is specified by customer's requirements
- Slide method by servo motor
- ESD safety cover
- Surrounded with covers to provide highest level of safety
- PCB traffic flows can be customized
- Smooth and parallel width adjustment

OPTION

- Aux. Dual buffer conveyor
- Auto width control system
- Conveyor speed control
- Bar code function by vision camera
- Stopper for PCB holding
- Dual lane
- CE type
- RS-485 Communication

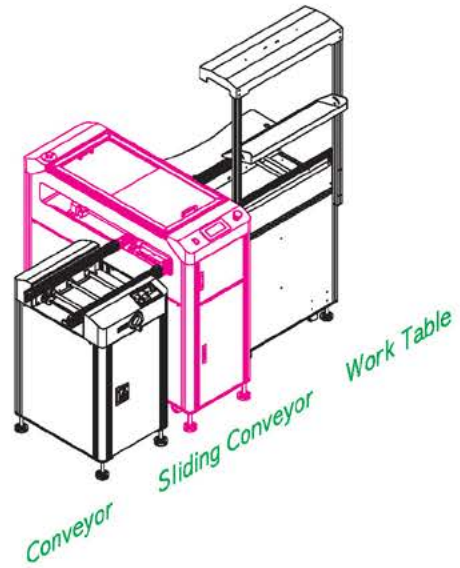


■ Specifications

Customized Manufacturing Available.

MODEL	TYPE	Max.PCB(L×W)mm	Min.PCB(L×W)mm	DIMENSION(L×W×H)mm	POWER	WEIGHT(Kg)
ASHC-50S	S	330×250	50×50	510×1240×1020	0.3kVA	180
ASHC-50Y	Y	440×330		510×1320×1020		190
ASHC-50L	L	530×375		610×1365×1020		200
ASHC-50X	XL	530×460		610×1450×1020		210
ASHC-502X	2XL	610×460		710×1450×1020		220

SLIDING CONVEYOR (FIXED RAIL CHANGER)

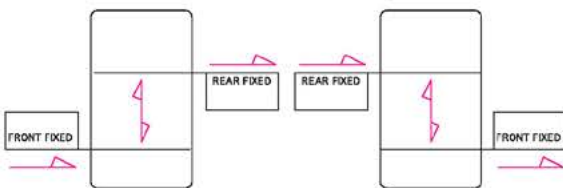


FEATURES

- SMEMA interface
- Timing belt for low-noise & low-vibration
- Durable structure by double base plate
- Buzzer, LED display
- The length of the conveyor is specified by customer's requirements
- Standard sliding stroke is 200mm
- ESD safety cover

OPTION

- Auto width control system
- Conveyor speed control
- Sliding speed control using inverter
- Touch screen operation
- Dual lane
- CE type
- RS-485 Communication

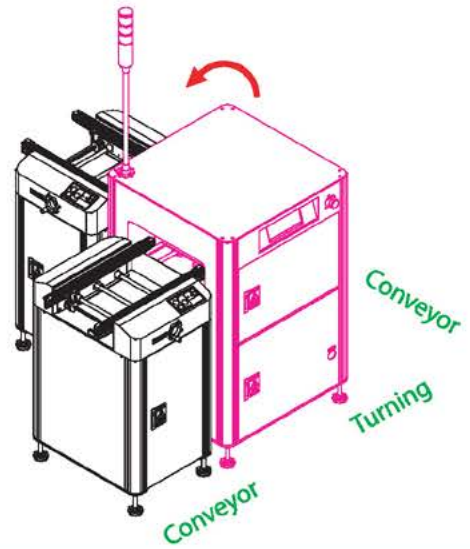


■ Specifications

Customized Manufacturing Available.

MODEL	TYPE	Max.PCB(L×W)mm	Min.PCB(L×W)mm	DIMENSION(L×W×H)mm	POWER	WEIGHT(Kg)
ASC-50S	S	330×250	50×50	500×810×1050	0.3kVA	120
ASC-50Y	Y	440×330		500×890×1050		130
ASC-50L	L	530×375		600×935×1050		140
ASC-50X	XL	530×460		700×1010×1050		150
ASC-502X	2XL	610×460				

HORIZONTAL TURNING CONVEYOR

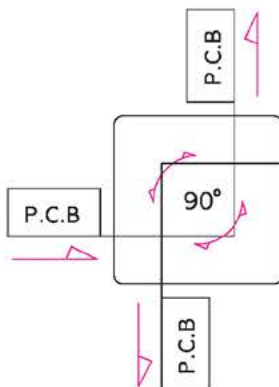


FEATURES

- SMEMA interface
- Durable structure of double based plate
- Buzzer, LED display
- Shock absorber for holding PCB
- Safe turning system by cylinder
- Cover for safe and clean operation
- LED tower light
- Smooth and precise rotation
- PCB traffic flows can be customized

OPTION

- Auto width control system
- Aux. Buffer conveyor
- Conveyor speed control
- Touch screen operation
- CE type
- RS-485 Communication

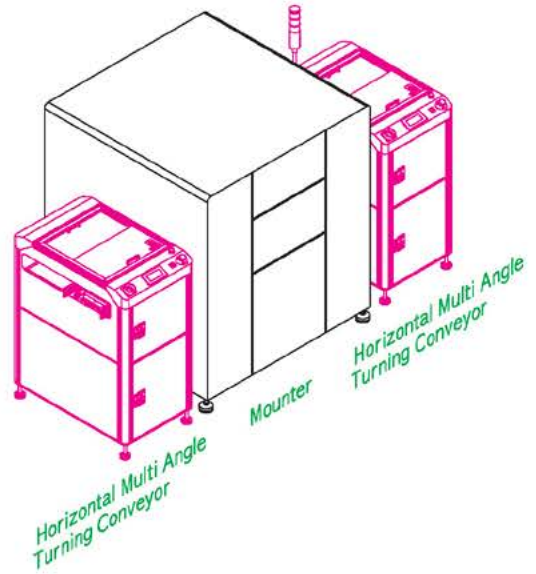


Specifications

Customized Manufacturing Available.

MODEL	TYPE	Max.PCB(L×W)mm	Min.PCB(L×W)mm	DIMENSION(L×W×H)mm	POWER	AIR(MPa)	WEIGHT(Kg)
AHT-50S	S	330×250	50×50	610×600×1105	0.3kVA	0.5±0.1	170
AHT-50Y	Y	440×330		710×700×1105			180
AHT-50L	L	530×375		810×800×1105			190
AHT-50X	XL	530×460		910×900×1105			200
AHT-502X	2XL	610×460					

HORIZONTAL MULTI ANGLE TURNING CONVEYOR

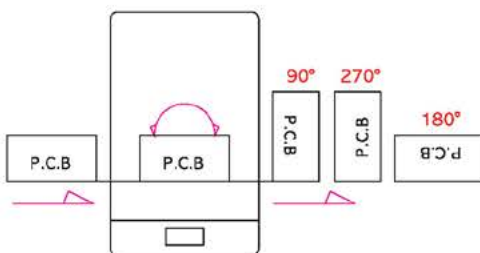


FEATURES

- SMEMA interface
- Adjustable PCB flow
- Touch screen operation
- Durable structure of double based plate
- Buzzer alarm function
- Vacuum system for holding PCB
- Cover for safe and clean operation
- Auto width control system

OPTION

- Aux Buffer conveyor
- Conveyor speed control
- CE type
- RS-485 Communication

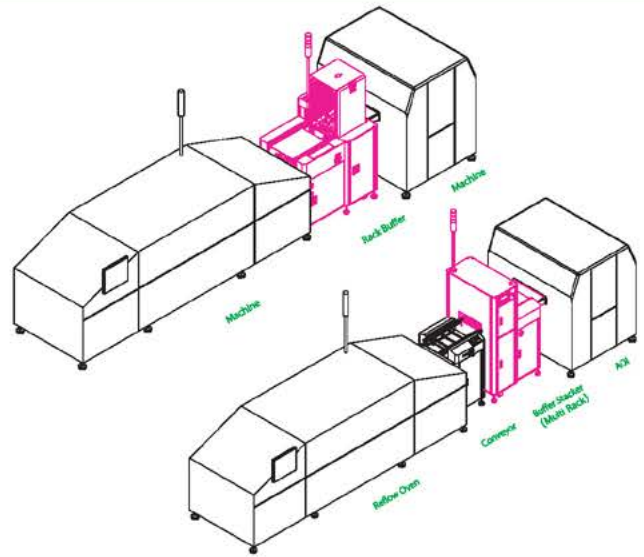


Specifications

Customized Manufacturing Available.

MODEL	Max.PCB(L×W)mm	Min.PCB(L×W)mm	DIMENSION(L×W×H)mm	POWER	AIR(MPa)	WEIGHT(Kg)
AHT-50YM	500×500	PASS : 50×50	670×1100×1070	0.4kVA	0.5±0.1	170
AHT-502XM	610×610	TURN : 100×100	830×1210×1070			190

BUFFER STACKER (RACK TYPE)

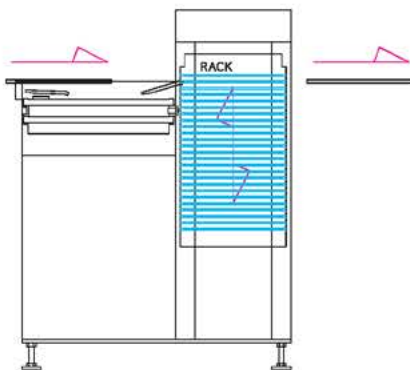


FEATURES

- SMEMA interface
- Stacking 25 PCBs
- NG stack in FIFO/LIFO
- PCB damage prevention function
- Touch screen operation

OPTION

- Aux. Buffer conveyor
- Cooling fan
- Auto width control system
- Stacking up to 50 PCB depending on PCB clearance
- Stopper for PCB holding
- Dual lane
- CE type
- RS-485 Communication

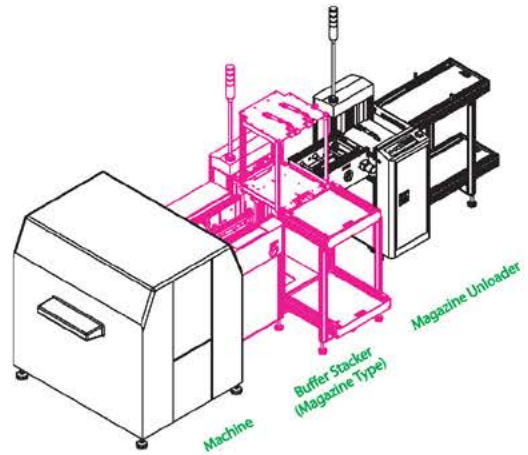


Specifications

Customized Manufacturing Available.

MODEL	TYPE	PCB CAPACITY	Max.PCB(L×W)mm	Min.PCB(L×W)mm	DIMENSION(L×W×H)mm	POWER	AIR(MPa)	WEIGHT(Kg)
ARB-25S	S	25 to 50 Standard : 25	330×250	60×60	855×640×1130	0.3kVA	0.5±0.1	210
ARB-25Y	Y		440×330		1080×720×1130			230
ARB-25L	L		530×375		1260×765×1130			250
ARB-25X	XL		530×460		1260×850×1130			260
ARB-252X	2XL		610×460		1420×850×1130			270

BUFFER STACKER (MAGAZINE TYPE)

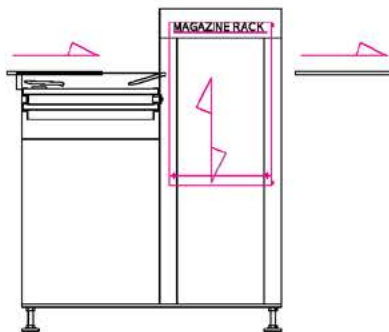


FEATURES

- SMEMA interface
- NG Stack in FIFO/LIFO and Loader/Unloader function available
- PCB damage prevention function
- Touch screen operation
- Dual clamps to prevent magazine warp
- LED tower light

OPTION

- Aux. Buffer conveyor
- High speed magazine exchange (19sec)
- Cooling fan
- Auto width control system
- Stopper for PCB holding
- Dual lane
- CE type
- RS-485 Communication

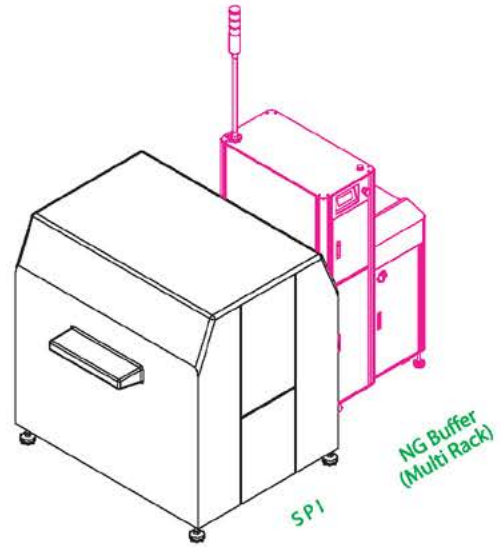


Specifications

Customized Manufacturing Available.

MODEL	TYPE	Max.PCB(L×W)mm	Min.PCB(L×W)mm	DIMENSION(L×W×H)mm	POWER	AIR(MPa)	WEIGHT(Kg)
AMB-11S	S	330×250	60×60	965×1260×1145	0.3kVA	0.5±0.1	220
AMB-11Y	Y	440×330		1160×1420×1145			240
AMB-11L	L	530×375		1325×1540×1145			260
AMB-11X	XL	530×460		1325×1680×1145			270
AMB-112X	2XL	610×460		1490×1980×1145			280

SPI BUFFER STACKER

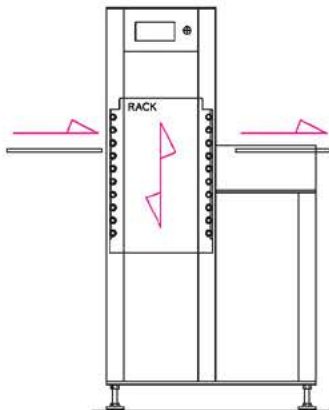


FEATURES

- PCB shock-free and pusher free
- Stacking 10 PCBs
- RS-232C interface with SPI
- No need to touch PCB for verification
- FIFO sending Good PCB to next machine
- Production is running even when printer stop to switch stencil
- Adjustable stacking quantity of NG, GOOD PCB (NG+GOOD=10)
- SMEMA interface
- LED tower light
- Touch screen operation

OPTION

- Auto width control system
- Monitor-Keyboard-Mouse stand
- Stopper for PCB holding
- Dual lane
- CE type
- RS-485 Communication



■ Specifications

Customized Manufacturing Available.

MODEL	TYPE	Max.PCB(L×W)mm	Min.PCB(L×W)mm	DIMENSION(L×W×H)mm	POWER	AIR(MPa)	WEIGHT(Kg)
AMR-35S	S	330×250	60×60	780×755×1440	0.3kVA	0.5±0.1	230
AMR-35Y	Y	440×330		1000×835×1440			240
AMR-35L	L	530×375		1180×875×1440			260
AMR-35X	XL	530×460		1180×965×1440	0.4kVA		270
AMR-352X	2XL	610×460		1340×965×1440			280

SPI BUFFER STACKER EXPLANATION



GUIDE POWER TRAIN & ANTI-TOUCH MAGNETIC ROLLER



RS-232C COMMUNICATION



PCB DETECT SENSOR



ESD COVER

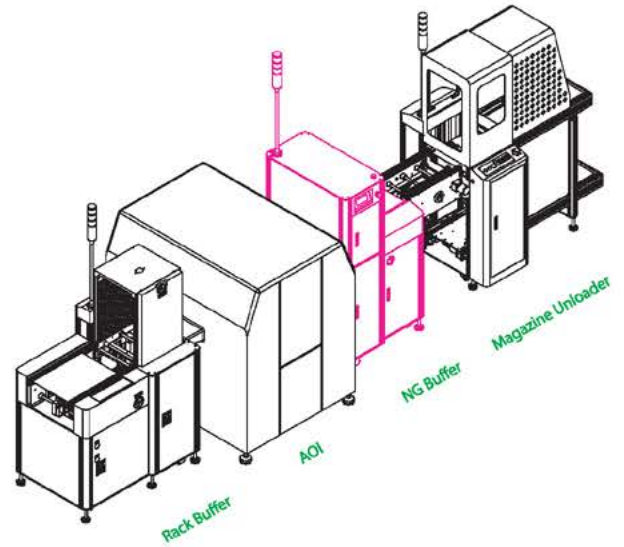
BEFORE

An operator should pick up the PCB whenever NG PCB appears
 Moulder stops operation during MASK CLEAN TIME
 Difficult to stop SPI while a worker picks up NG PCB
 Difficult to re-insert NG PCB after visual inspection

AFTER

No need to store NG PCB separately
 The production line keeps running even screen printer stop for stencil cleaning
 SPI can keep operate during visual checking and fixing NG PCB
 Easy to change the NG PCB by call function

AOI BUFFER STACKER

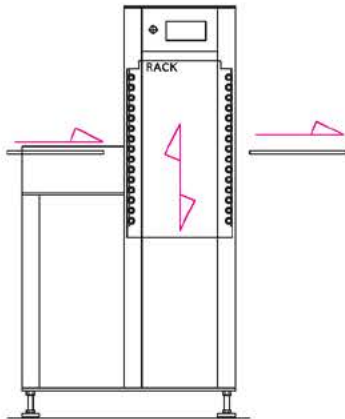


FEATURES

- PCB shock-free and pusher free
- RS-232C interface with AOI
- Stacking 12 PCBs
- SMEMA interface
- LED tower light
- Touch screen operation

OPTION

- Auto width control system
- Monitor-Keyboard-Mouse stand
- Stopper for PCB holding
- Dual lane
- CE type
- RS-485 Communication

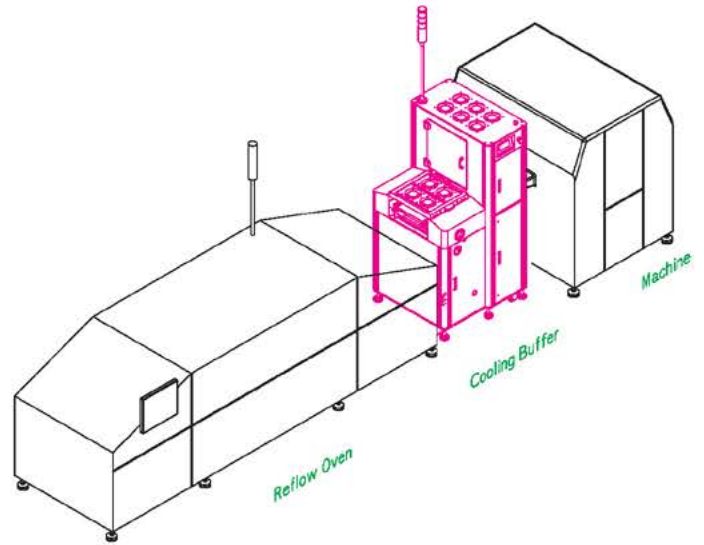


■ Specifications

Customized Manufacturing Available.

MODEL	TYPE	Max.PCB(L×W)mm	Min.PCB(L×W)mm	DIMENSION(L×W×H)mm	POWER	AIR(MPa)	WEIGHT(Kg)
ANB-15S	S	330×250	60×60	980×890×1505	0.3kVA	0.5±0.1	240
ANB-15Y	Y	440×330		1090×970×1505			260
ANB-15L	L	530×375		1180×1015×1505			280
ANB-15X	XL	530×460		1180×1100×1505	0.4kVA		290
ANB-152X	2XL	610×460		1260×1100×1505			300

COOLING BUFFER CONVEYOR

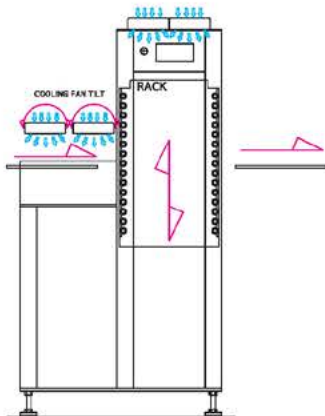


FEATURES

- SMEMA interface
- Stacking 10 PCBs
- NG Stack in FIFO/LIFO
- PCB damage prevention function
- Touch screen operation
- Cooling fan

OPTION

- Aux Buffer conveyor
- Auto width control system
- Stopper for PCB holding
- Apparatus for maintaining fixed temperature
- Dual lane
- CE type
- RS-485 Communication

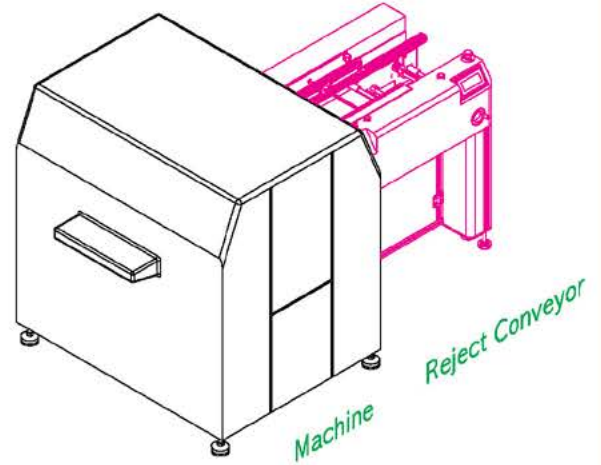


Specifications

Customized Manufacturing Available.

MODEL	TYPE	PCB CAPACITY	Max.PCB(L×W)mm	Min.PCB(L×W)mm	DIMENSION(L×W×H)mm	POWER	AIR(MPa)	WEIGHT(Kg)			
ACB-10S	S	10	330×250	60×60	780×755×1440	0.3kVA	0.5±0.1	240			
ACB-10Y	Y		440×330		1000×835×1440			260			
ACB-10L	L		530×375		1180×875×1440			280			
ACB-10X	XL		530×460		1180×965×1440			290			
ACB-102X	2XL		610×460					1340×965×1440			300

REJECT CONVEYOR

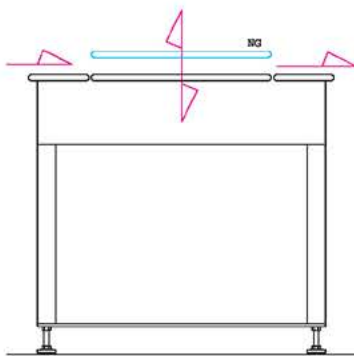


FEATURES

- SMEMA interface
- Durable structure of double based plate
- Reject, inspect and pass thru mode
- 3-Mode : Manual mode
Auto mode
Pass mode
- Touch screen operation
- Up and down with motor

OPTION

- Auto-width control system
- RS-232C communication with SPI
- Adding more stages
- Monitor-Keyboard-Mouse stand
- Dual lane
- CE type
- RS-485 Communication

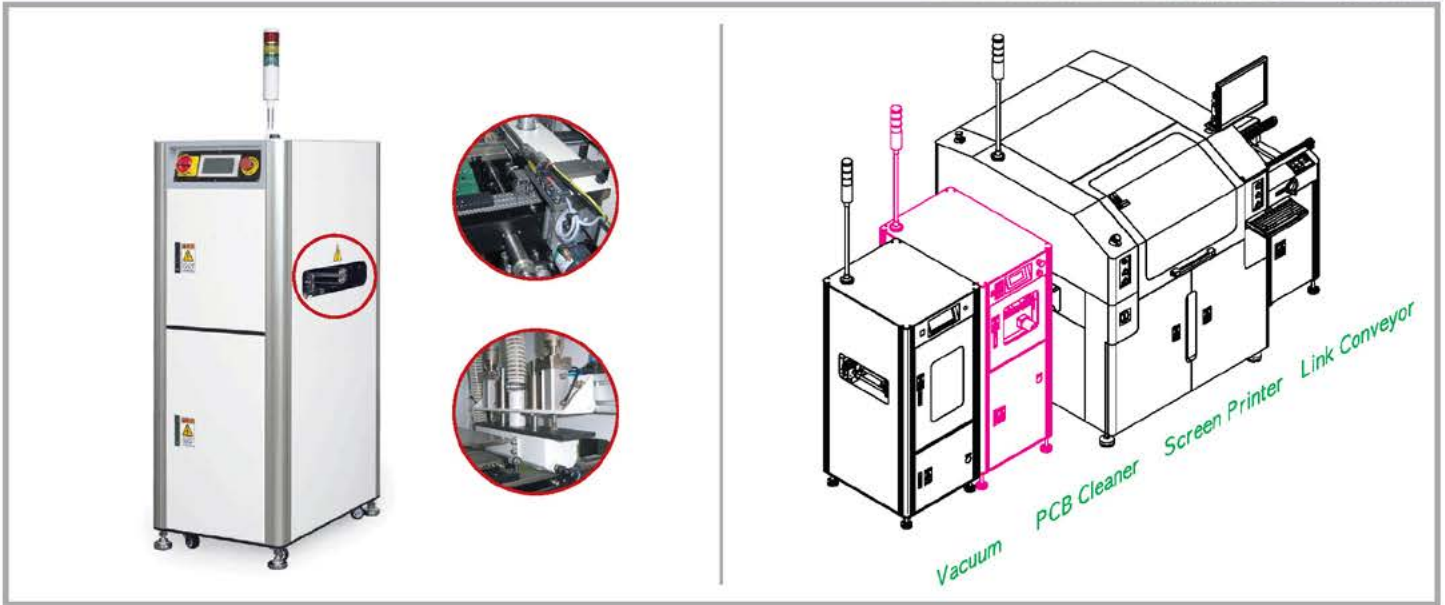


■ Specifications

Customized Manufacturing Available.

MODEL	TYPE	Max.PCB(L×W)mm	Min.PCB(L×W)mm	DIMENSION(L×W×H)mm	POWER	AIR(MPa)	WEIGHT(Kg)
ANRC-100S	SL	330×250	50×50	1000×730×980	0.3kVA	0.5±0.1	190
ANRC-100Y	YL	440×330		1000×810×980			200
ANRC-100L	LL	530×375		1000×855×980			210
ANRC-100X	XL	530×460		1000×940×980			220
ANRC-1002X	2XL	610×460		1000×940×980			230

PCB CLEANER

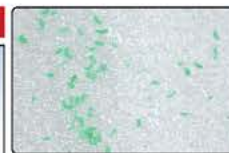
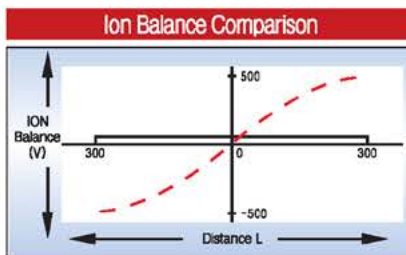
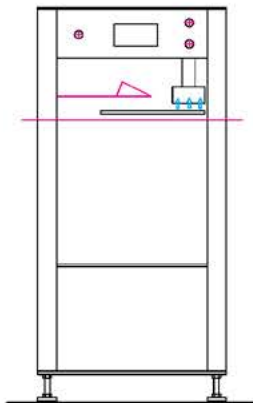


FEATURES

- SMEMA interface
- External high volume dust collector
- Non-contact cleaning(Scratch and Static free)
- Vacuum system
- Touch screen operation

OPTION

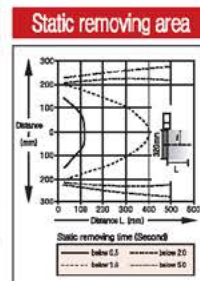
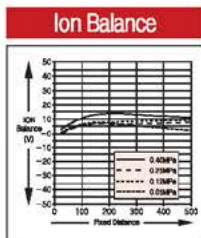
- Connection with vacuum loader or magazine loader
- Ultra-compact ionizer
- Auto width control system
- Dual lane
- CE type
- RS-485 Communication



[Before-25EA]



[After-100EA]



1 Dust detection

Found 25 PCB polluted out of 250 PCBs
 ⇒ Confirmed pollution is Ink powder

2 Cleaning function test

Cleaning
 Run the PCB Cleaner for 150 PCBs

3 Cleaning result

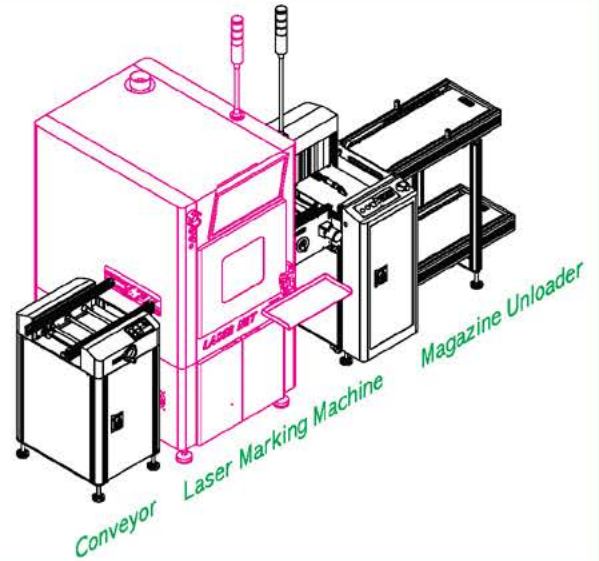
Checked cleaned boards
 ⇒ 95% passed the pollution test

Specifications

Customized Manufacturing Available.

MODEL	TYPE	Max.PCB(L×W)mm	Min.PCB(L×W)mm	DIMENSION(L×W×H)mm	POWER	AIR(MPa)	WEIGHT(Kg)
ADRC-50S	S	330×250	50×50	600×805×1370	0.5kVA	0.5±0.1	120
ADRC-50Y	Y	440×330		670×880×1370			130
ADRC-50L	L	530×375		770×880×1370			140
ADRC-50X	XL	530×460		770×960×1370			150
ADRC-502X	2XL	610×460					

LASER MARKING MACHINE

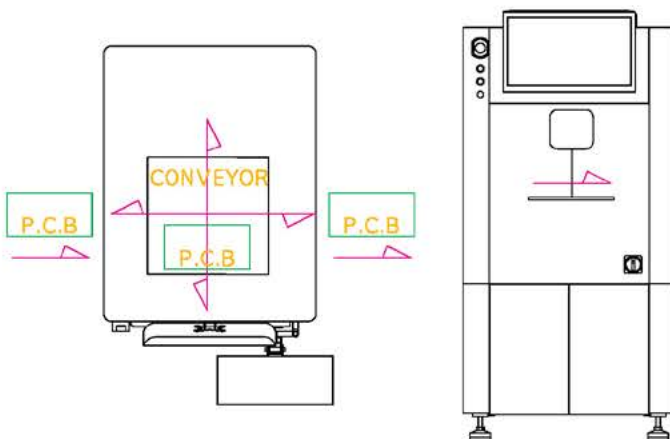


FEATURES

- Edge belt conveyor
- Auto width adjustment
- Vision camera system
- Cognex barcode reader
- Panasonic laser (CO₂, FAYb)
- SMEMA interface
- Tower light with buzzer

OPTION

- Different belt type available
- Speed control
- Separate dust collector
- RS-485 Communication

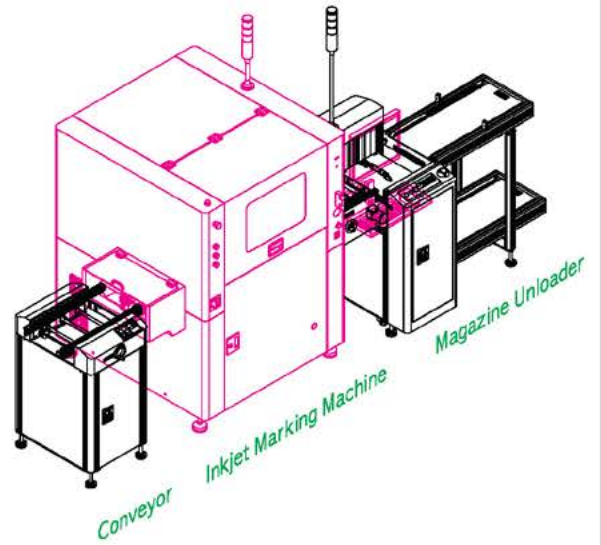


Specifications

Customized Manufacturing Available.

MODEL	TYPE	Max.PCB(L×W)mm	Min.PCB(L×W)mm	DIMENSION(L×W×H)mm	POWER	AIR(MPa)	WEIGHT(Kg)
ALM-100S	S	330×250	60×60	825×1090×1510	2kVA	0.5±0.1	600
ALM-100X	XL	530×460		1025×1300×1510			850

INKJET MARKING MACHINE

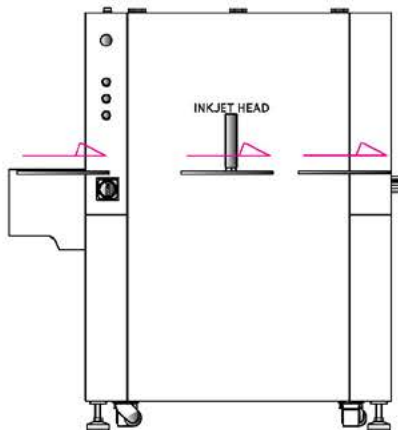


FEATURES

- Edge belt conveyor
- Auto width adjustment
- Conveyor speed : 250mm/sec.
- Vision camera system
- X,Y-Axis : Marking head movement by ROBOT system
- Domino, Leibinger
- SMEMA interface
- Tower light with buzzer

OPTION

- Different belt type
- Multi-zone concept
- Speed controller
- X,Y-Axis : Table movement type
- Z-Axis : Auto
- θ -Axis : Auto
- Dust collector

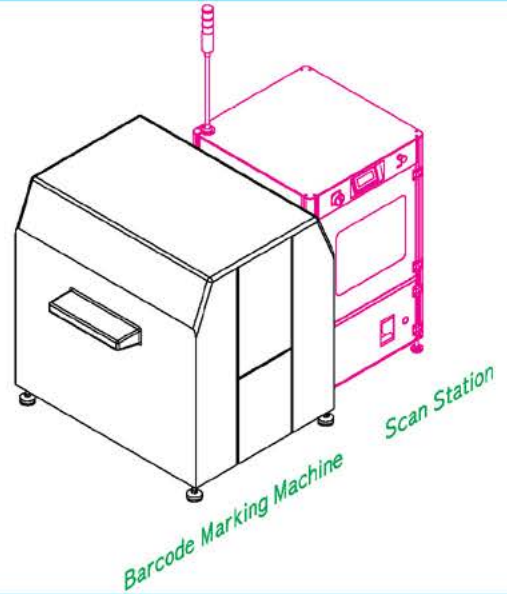


Specifications

Customized Manufacturing Available.

MODEL	TYPE	Max.PCB(L×W)mm	Min.PCB(L×W)mm	DIMENSION(L×W×H)mm	POWER	AIR(MPa)	WEIGHT(Kg)
AIM-100S	S	330×250	50×50	1410×1135×1510	2kVA	0.5±0.1	700
AIM-100X	X	510×510		1610×1345×1510			900

SCAN STATION (BARCODE READING)

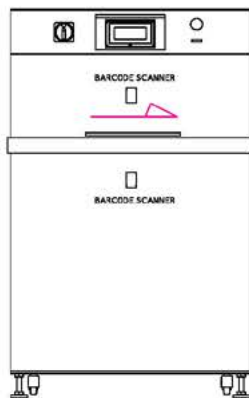


FEATURES

- Barcode adjustment manual screen
- Barcode high adjustment range
- SMEMA interface
- Buzzer, LED display
- Durable structure of double based plat
- Slim & Round design
- LED tower light

OPTION

- Conveyor speed control
- RS-232C Interface
- Touch screen operation
- Auto width control system
- Dual lane
- CE type
- RS-485 Communication



Specifications

Customized Manufacturing Available.

MODEL	TYPE	Max.PCB(L×W)mm	Min.PCB(L×W)mm	DIMENSION(L×W×H)mm	POWER	AIR(MPa)	WEIGHT(Kg)
ABCR-50S	SL	330×250	50×50	500×600×1355	0.2kVA	0.5±0.1	110
ABCR-50Y	YL	440×330		600×680×1355			120
ABCR-85K	XL	510×510		830×860×1355			140

MANUAL INSERTION LINE



Customized Manufacturing Available.



FEATURES

- Speed control
- Customized manufacture

OPTION

- Automatic width control system
- Instruction manual hanger
- Fluorescent lamp
- Various belt type
- Work table
- Shelf for stacking components and inspection device
- Air line
- Power line
- Stopper for PCB holding (Insertion conveyor)
- Dual lane
- CE type
- RS-485 Communication

OTHER MACHINES



● MULTI LOADER



● COOLING OPTION



● SPACE SAVE LOADER



● SPACE SAVE UNLOADER



● LONG CONVEYOR LOADER

OTHER MACHINES

● INSERTION WORK TABLE



● NG CONVEYOR



● Aux. BUFFER OPTION



● WORK TABLE+INVERTER

OTHER MACHINES



CSP LOADER



CSP UNLOADER



2 STACK BUFFER



LIFT GATE

OTHER MACHINES

TRAY LOADER



TRAY TURN



LENGTH ADJUSTABLE CONVEYOR



SHUTTLE+UNLOADER



TRAY UNLOADER



DUAL LANE CONVEYOR



 MULTI LOADER




 COOLING OPTION



 SPACE SAVE LOADER

 LONG CONVEYOR LOADER

 SPACE SAVE UNLOADER

DUAL LANE CONVEYOR



● INSERTION WORK TABLE



● NG CONVEYOR

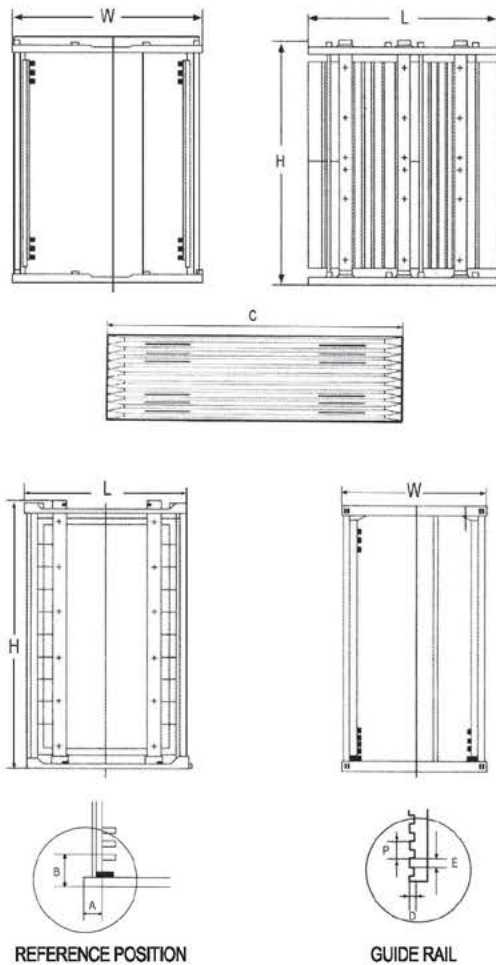


● Aux. BUFFER OPTION



● WORK TABLE+INVERTER

MAGAZINE RACK-NTC SERIES



■ Specifications

MODEL NO.	TYPE		W	L	H	AJ	A	B	C	D	E	P	WEIGHT (Kg)
	TYPE1	TYPE2											
NTC-091	60℃	120℃	320	355	580	50~258	34	35	330	3	3	10	4.8
NTC-092	60℃	120℃	320	355	570	50~258	34	35	330	3	3	10	4.8
NTC-093	60℃	120℃	460	535	575	60~380	34	35	535	4	5	10	7
NTC-094	60℃	120℃	370	350	570	98~308	34	35	330	3/5	3/5	10	5
NTC-095	60℃	120℃	380	480	575	77~318	34	35	480	3	5	10	7
NTC-096	60℃	120℃	400	460	575	68~334	34	35	460	3	5	10	7
NTC-097	60℃	120℃	320	355	570	50~258	34	35	330	5	5	10	6
NTC-098	~250℃		320	355	570	50~250	34	35	335	3	3	10	6
NTC-099	60℃	120℃	320	620	575	60~236	34	35	600	4	5	10	8.5
NTC-100	60℃	120℃	530	535	575	150~460	34	35	535	4	5	10	8.5
NTC-101	60℃	120℃	530	620	575	150~460	34	35	600	4	5	10	8.5

Date : . . .



ILJIN Co., Ltd

#32, SEONGSEOGONGDAN-RO 21-GIL, DALSEO-GU, DAEGU, 42705, REPUBLIC OF KOREA
TEL : +82-53-585-9366 / FAX : +82-53-585-9367
E-mail : iljin@iljinfa.co.kr

ILJIN

FA TOTAL SYSTEM / SMT BOARD HANDLER



ILJIN Co., Ltd

#32, SEONGSEOGONGDAN-RO 21-GIL, DALSEO-GU, DAEGU, 42705, REPUBLIC OF KOREA

TEL : +82-53-585-9366 / FAX : +82-53-585-9367

E-mail : iljin@iljinfa.co.kr

www.iljinfa.co.kr

The specification in this catalogue may be changed without prior notice for quality improvement